



UiLED TECHNOLOGY

Good People, Good Work.



We are committed to deliver high quality, cost-effective, energy saving LED products for the global market.



- It is made of Dow Chemical SILASTIC™ ET-7021 silicone rubber, which provides high transparency and high strength;
- Environmental protection grade silicone material, integrated extrusion molding process;
- Unique optical light distribution structure design, uniform lighting surface and no shadow;
- IP67 protection level, salt solution resistance, acids & alkalis and UV resistance;
- Excellent toughness, simple and stylish appearance, delicate and unique;
- 3-year warranty for pixel models, 5-year warranty for others, long-life LED ≥50000 hrs.



ORDERING GUIDE

PART #	INPUT (Vdc)	POWER (W / M)	POWER (W / Feet)	Efficiency (LM/W) @4000K	CRI	Dimmable
FN1212SB	24V	10	3.05	51.3	90	YES

Parameter Table

Single Color

Color Temperature	Power (W)	Lumen per meter	Unit Length (mm)	Max.Run Length(M)	CC/CV
2700±150	10	458	50	13	CC/CV
3000±150	10	455	50	13	CC/CV
3500±200	10	495	50	13	CC/CV
4000 +400 -200	10	513	50	13	CC/CV
5000 +500 -300	10	515	50	13	CC/CV
6500±500	10	493	50	13	CC/CV
Red	10	222	50	17	CC/CV
Green	10	492	50	13	CC/CV
Blue	10	102	50	13	CC/CV
Yellow	10	148	50	17	CC/CV
Orange	10	207	50	17	CC/CV
Pink	10	455	50	13	CC/CV

RGB

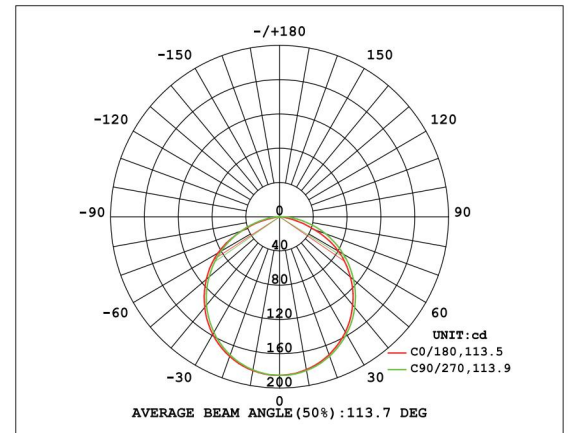
Color Temperature	Power (W)	Lumen per meter	Unit Length (mm)	Max.Run Length(M)	CC/CV
2700±150	5	225	62.5	5	CV
6500±150	5	261	62.5	5	CV
2700+6500	10	483	62.5	5	CV

CCT Tunable

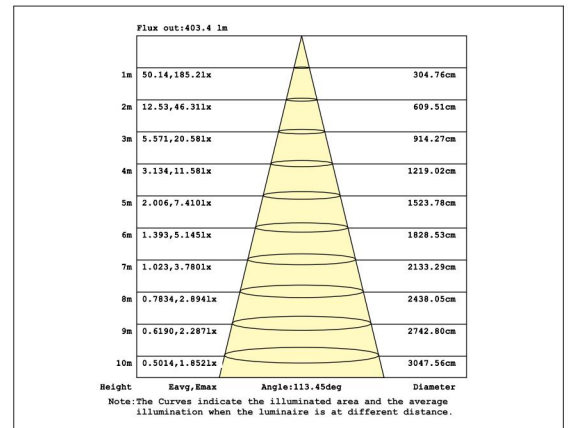
Color Temperature	Power (W)	Lumen per meter	Unit Length (mm)	Max.Run Length(M)	CC/CV
2700±150	5	225	62.5	5	CV
6500±150	5	261	62.5	5	CV
2700+6500	10	483	62.5	5	CV

LUMINAIRE PHOTOMETRIC

Light Distribution Curve



Illuminance curve

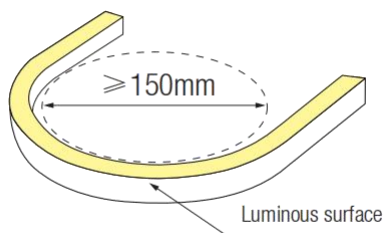
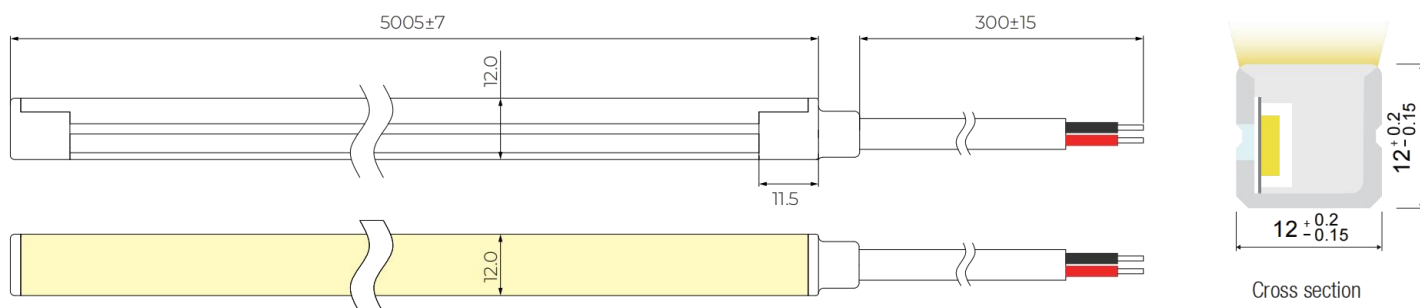


Note: The above data is based on 24V, 10W/M, single colour with 4000k color temperature. If you need IES files for other types.

Parameter Table

Color Temperature	Power (W)	Lumen per meter	Unit Length (mm)	Max.Run Length(M)	PIXEL(PCS)	IC Model
R	5	50	100	5	10	WS2811
G	5	147	100	5	10	WS2811
B	5	24	100	5	10	WS2811
RGB	12	199	100	5	10	WS2811

DIMENSION (mm)



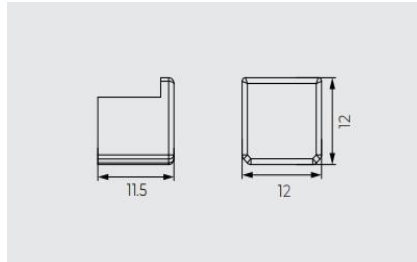
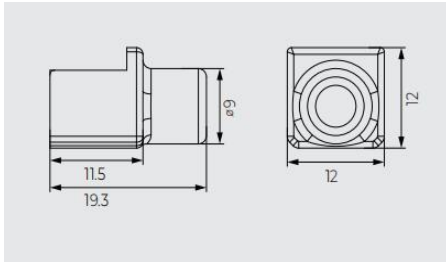
Length Range (M)	Final Length (mm)		Tolerance (mm)
	Integral end cap	Silicone end cap	
0<Neon Strip(L)≤5	L+5	L+5.5	±7
5<Neon Strip(L)≤10	L+5	L+5.5	±10
10<Neon Strip(L)≤15	L+5	L+5.5	±13
15<Neon Strip(L)≤20	L+5	L+5.5	±16

CABLE

Cable Type	Schematic Diagram	Specification	Core	Electrical Properties
Waterproof Connector with Silicone Cable		OD: 6.0mm /Inner core: 20AWG M12Male / Female connector		Red V+, Black V-
		OD: 6.0mm /Inner core: 20AWG M12Male / Female connector		Black V+, White W, Yellow WW
		OD: 6.0mm /Inner core: 20AWG M12Male / Female connector		Red V+, Black V-
		OD: 6.0mm /Inner core: 20AWG M12Male / Female connector		Red V+, Black V-

CABLE ENTRY (Unit: mm)

Integral end cap (IP67)

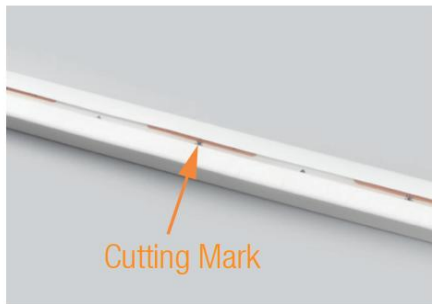


Front Cable Entry



Closed End cap

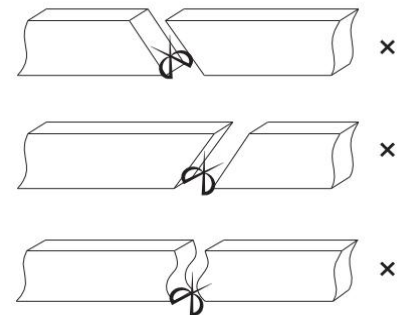
Cutting Mark



CRemark:
The bottom of the led strip has trans parent window, the black marker is the cutting position.



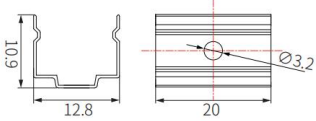
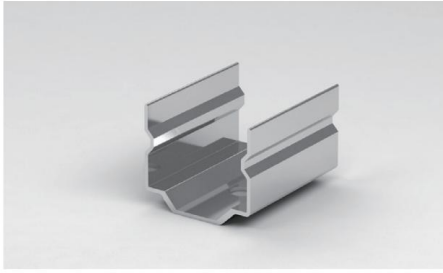
Use professional scissors to cut vertically at the cutting mark



Use professional scissors to cut vertically at the cutting mark

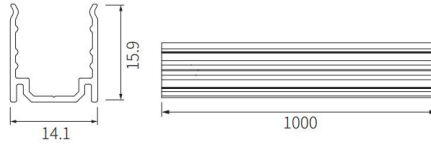
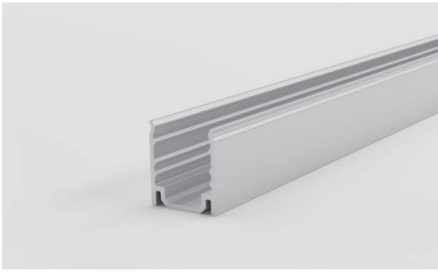
ACCESSORIES (Unit: mm)

Mounting Clips



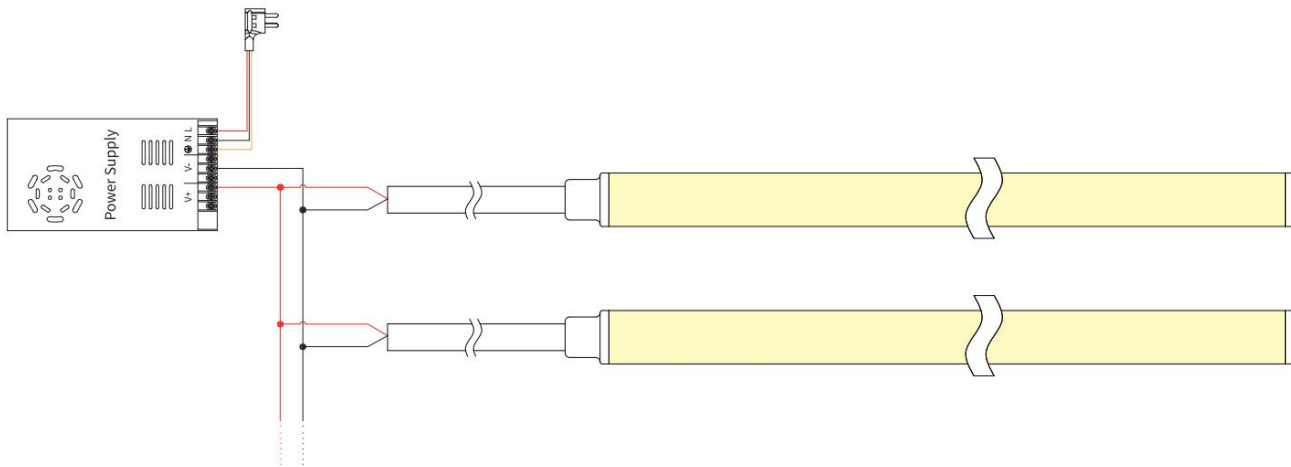
Dimension:
20x12.8x10.9
Accessories:
Screw M3x16 (SUS304)

Aluminium Profile

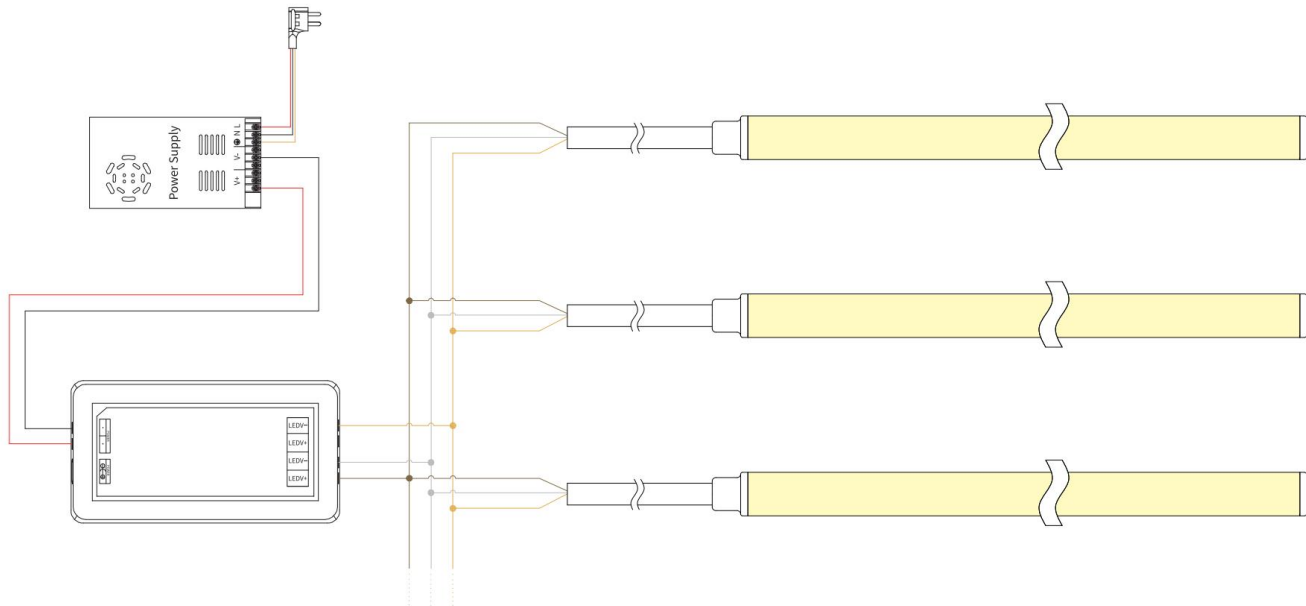


Dimension:
1000(±5)x14.1x15.9
Accessories:
Screw M3x16 (SUS304)

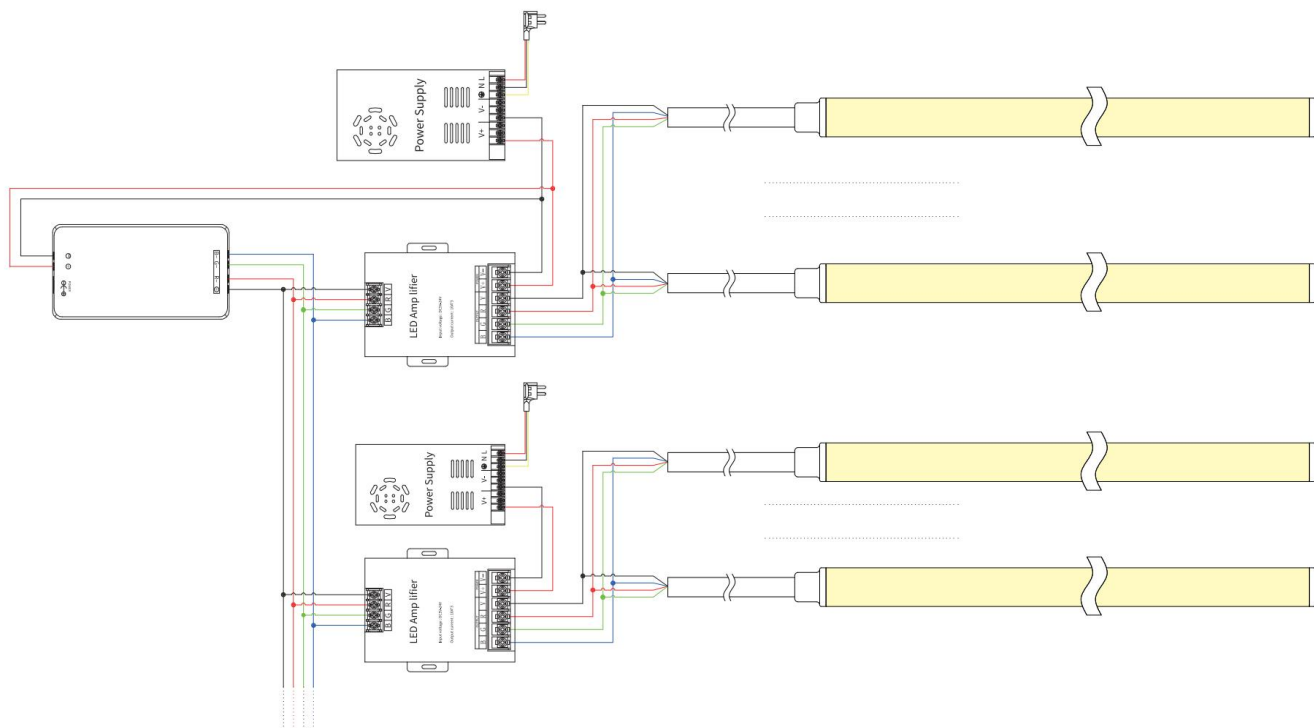
Single Color Connection Diagram



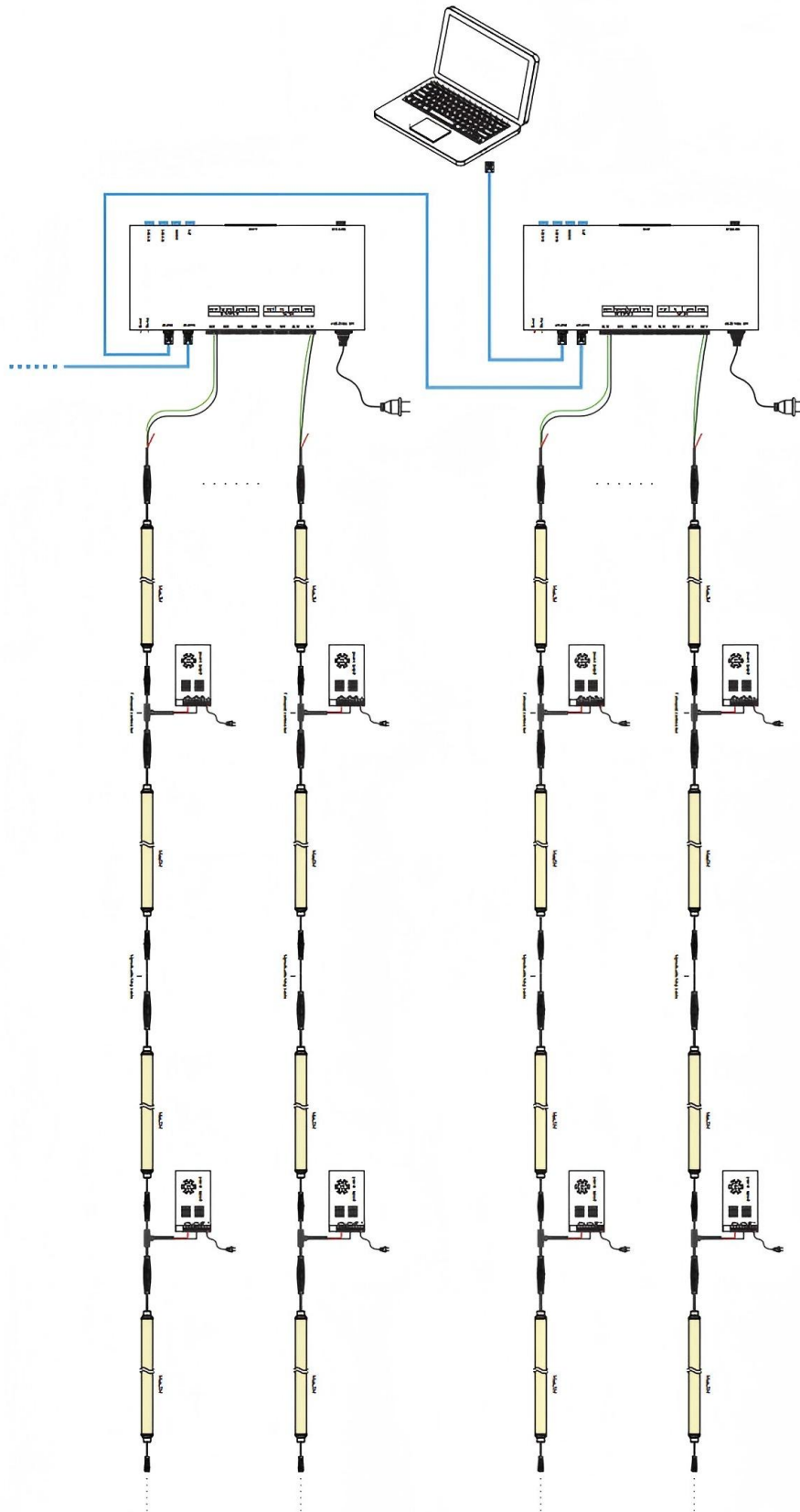
Tunable white Connection Diagram



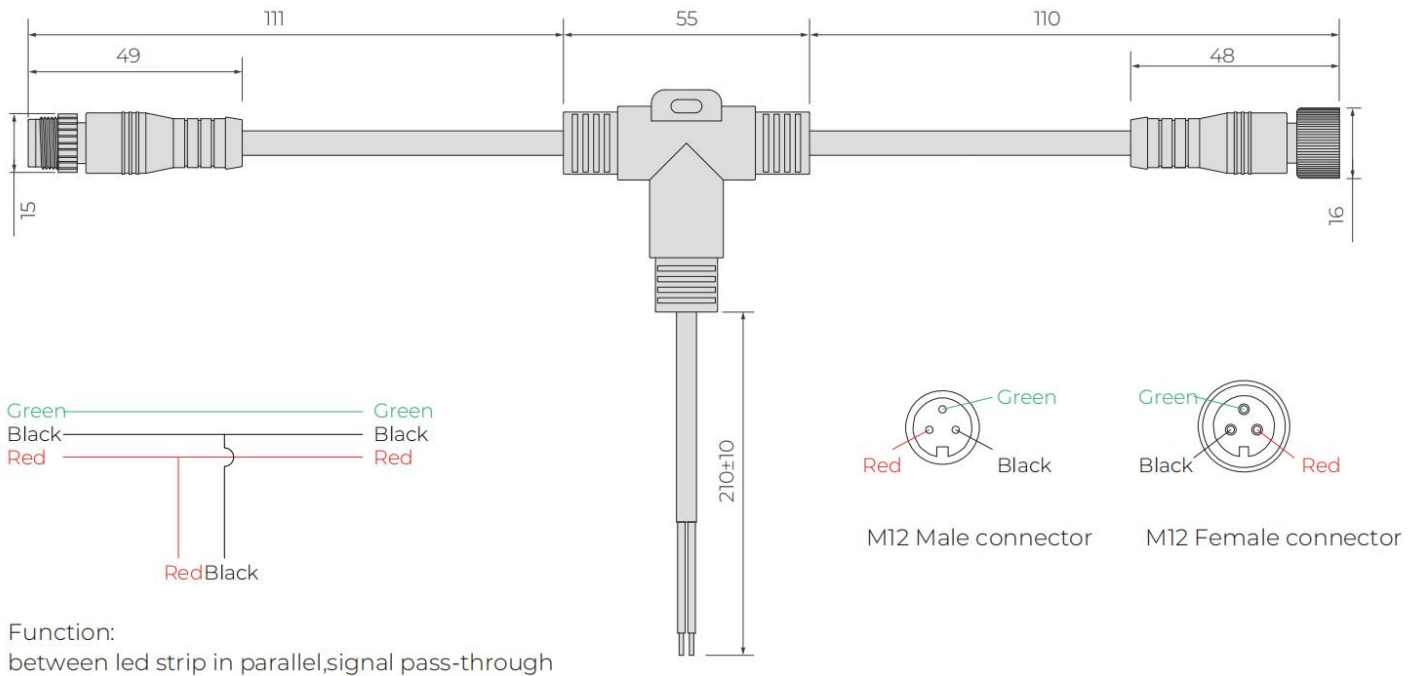
RGB Connection Diagram



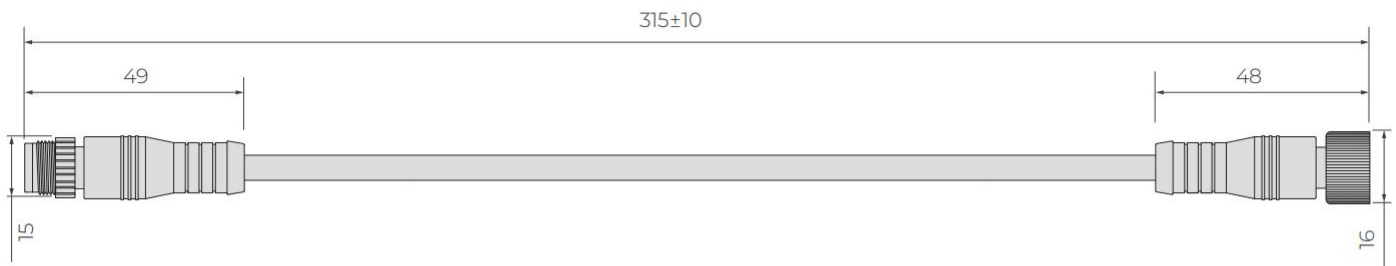
Schematic Diagram of Control System Connection - SPI Signal Type



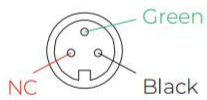
SPI signal type strip light with accessory cable (Unit: mm)



T-type 3 channel connector



Signal switching cable



M12 Male connector

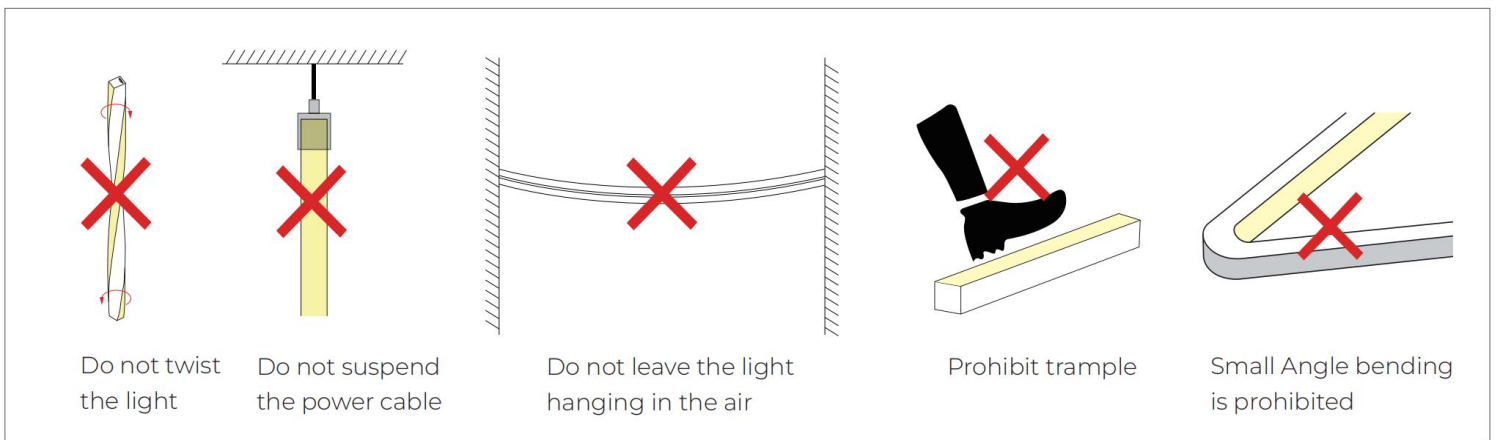
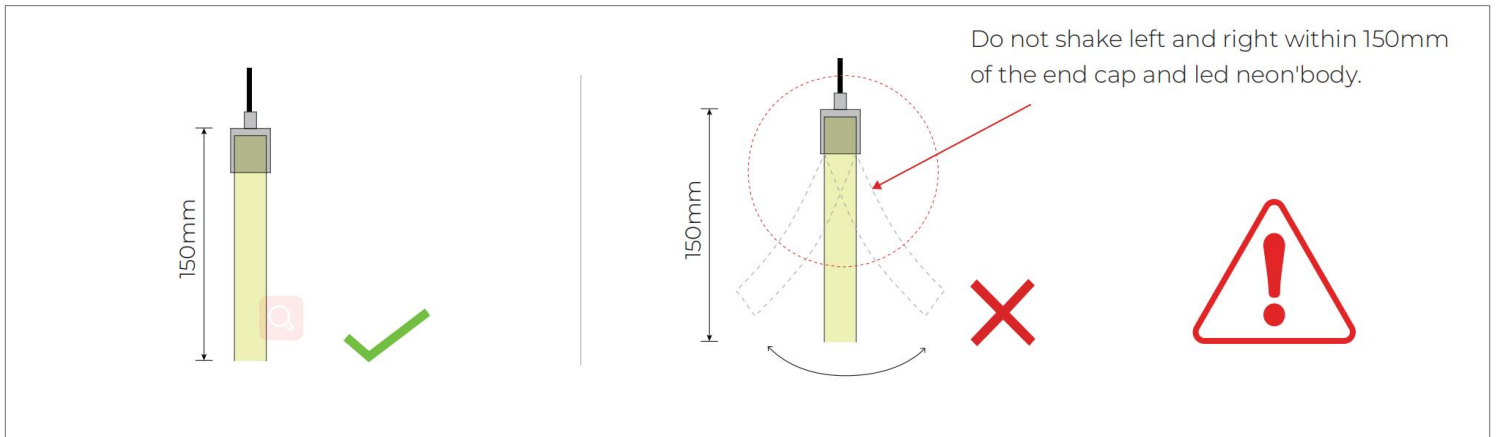


M12 Female connector

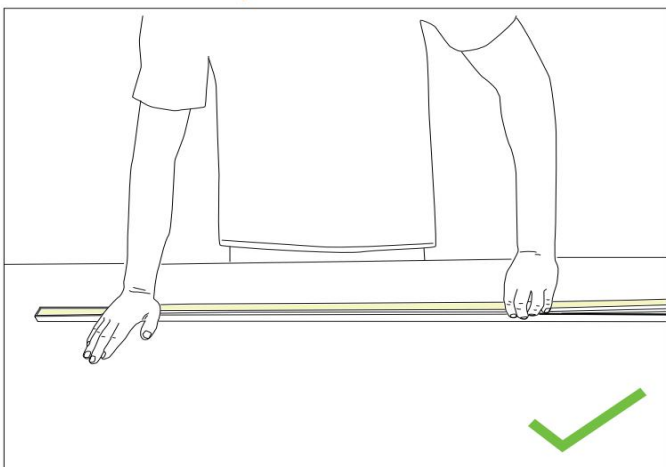


Function:
Keep the signal cable connected in series;
The positive terminal of the power supply is disconnected (avoid two power supplies connected in parallel).

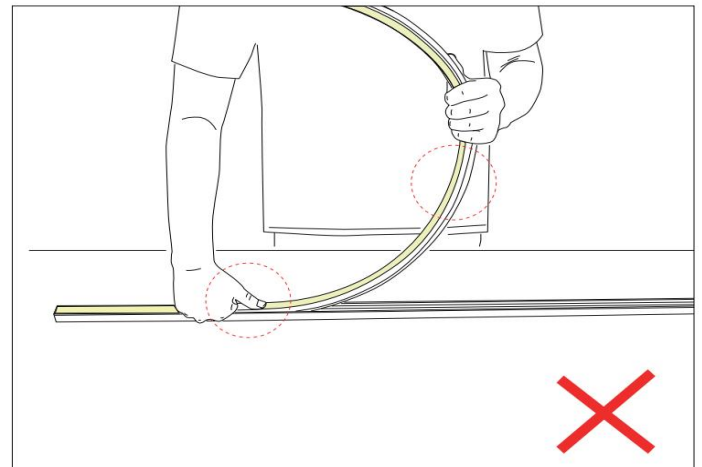
INSTALLATION PRECAUTIONS



Put it in the profile



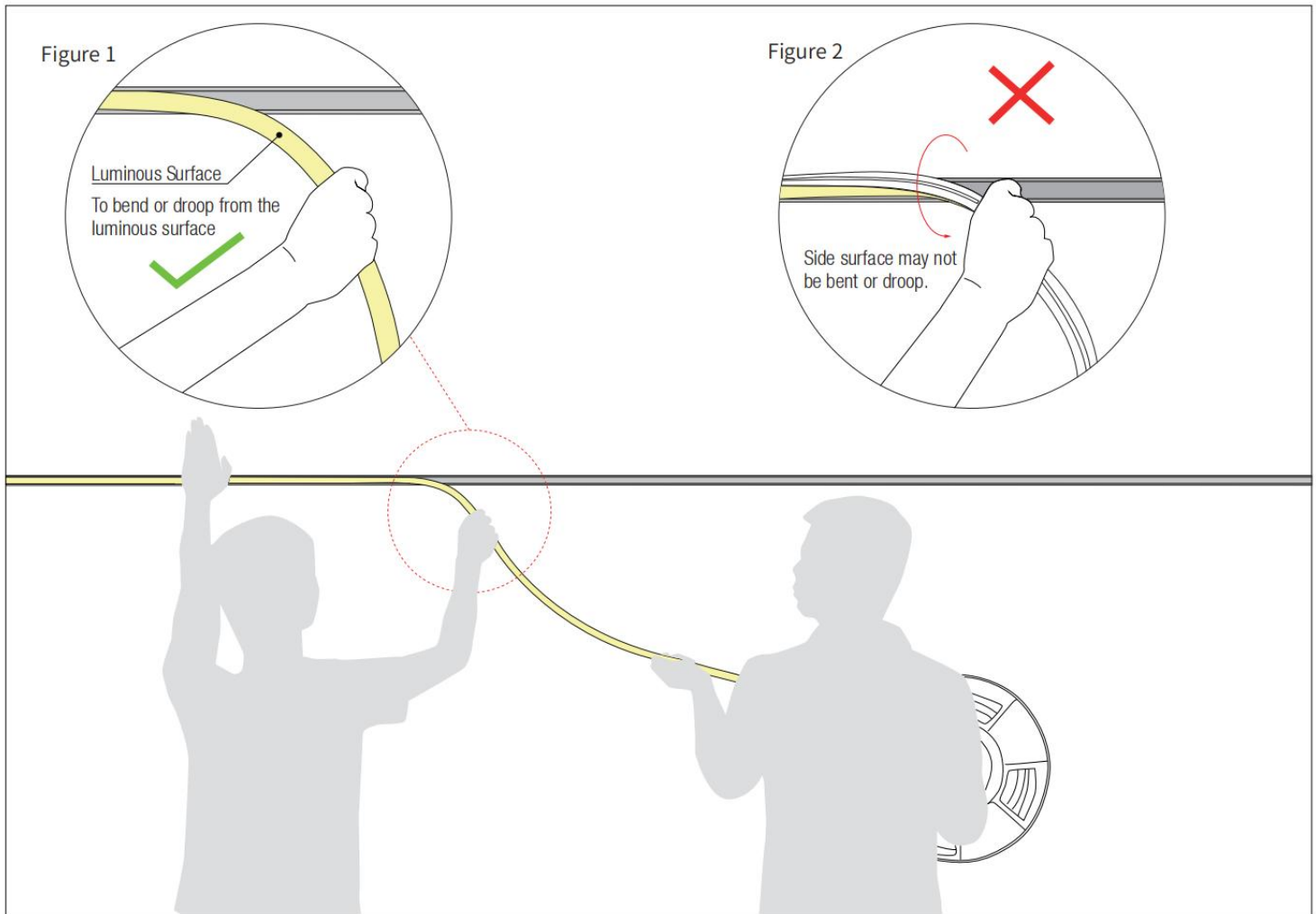
- Please press the led strip with your palm to slowly insert the led strip into the groove, and gently straighten the led strip above the groove with your right hand.
- Try to keep the led strip in a flat state during the installation process.



- Do not press the led strip with a single finger, it is easy to damage the internal parts of the led strip.
- The bent arc of the led strip should not be too large during installation.

Installation Precautions --Side Mounted

(If the length of the light is more than 2 meters,two persons must work together to install it.)



1. Installer:

- Press the light with the palm of the left hand to slowly load it into the slot. Straighten the light with right hand so that it droop it in the direction of your hand.
See Figure 1.

- Side surface may not be bent or droop.
See Figure 2.

2. Assistant:

- Cooperate with the installer to lift the reel of the light, and then slowly deliver the light to installer.
Do not pull or twist the light during the installation.